

S T E I N W A Y L Y N G D O R F

SPEAKER WIRING MANUAL

VERSION 1.4

TABLE OF CONTENTS

WIRING FOR:	3
• MODEL M LEFT/RIGHT	3
• MODEL D (WHEN BEING DRIVEN BY A1 AMPLIFIERS).....	3
• MODEL M BOUNDARY WOOFER.....	3
• MODEL LS BOUNDARY WOOFER	3
WIRING FOR:	4
• MODEL M CENTER	4
WIRING FOR:	5
• MODEL LS LEFT/RIGHT	5
• MODEL LS CENTER	5
• MODEL LS SURROUND.....	5
WIRING FOR:	6
• S-15	6
• S-210.....	6

Wiring for:

- Model M Left/Right
- Model D (when being driven by A1 amplifiers)
- Model M Boundary Woofer
- Model LS Boundary Woofer

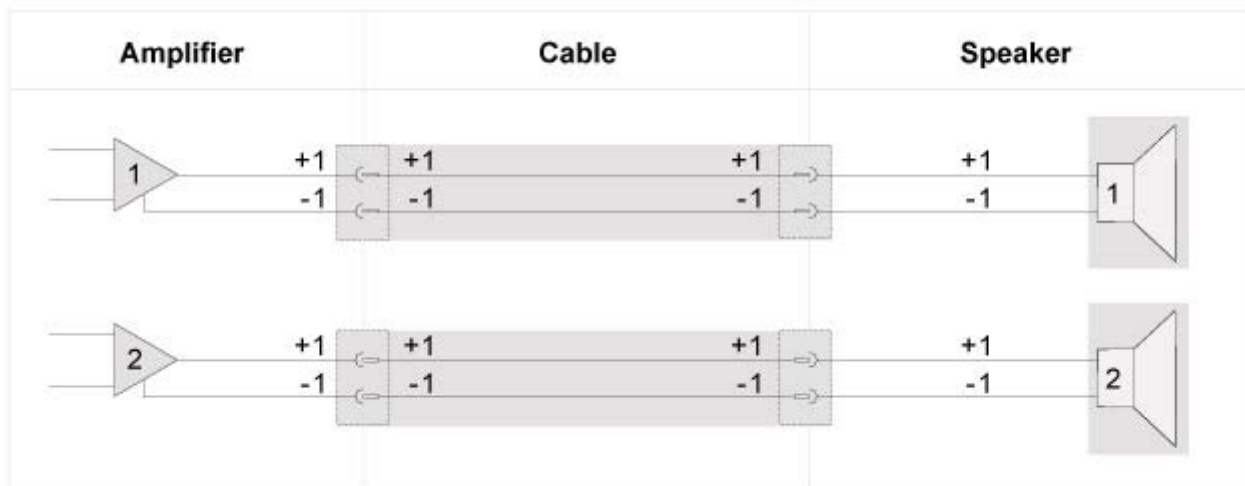
These speakers have one Speakon NL2MP socket per speaker.
Speakon plugs are included with the speaker and amplifier.

Speaker cable for Model M Left/Right, Model D (when being driven by A1 amplifiers)

- Recommended minimum up to 16m / 50ft: AWG 14/2 or 2-lead 2mm².
- Recommended minimum from 16m / 50ft and up: AWG 12/2 or 2-lead 3.5mm².
- Recommended maximum: AWG 10/2 or 2-lead 5mm².

Speaker cable for Model M Boundary Woofer, Model LS Boundary Woofer

- Recommended minimum up to 8m / 26ft: AWG 12/2 or 2-lead 3,5mm²
- Recommended minimum from 8m / 26ft and up: AWG 10/2 or 2-lead 5mm²
- Recommended maximum: AWG 10/2 or 2-lead 5mm².



Wiring for:

- Model M Center

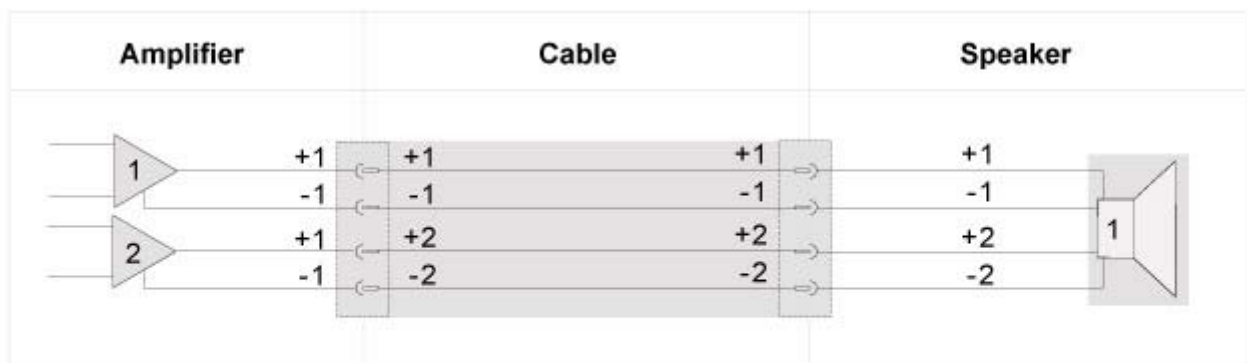
These speakers have one Speakon NL4MP socket per speaker. Speakon plugs are included with the speaker and amplifier.

+1 / -1 is for tweeter and midrange.

+2 / -2 is for bass.

Speaker cable for Model M Center

- Recommended minimum up to 16m / 50ft: AWG 14/4 or 4-lead 2mm².
- Recommended minimum from 16m / 50ft and up: AWG 12/4 or 4-lead 3.5mm².
- Recommended maximum: AWG 10/4 or 4-lead 5mm².



Wiring for:

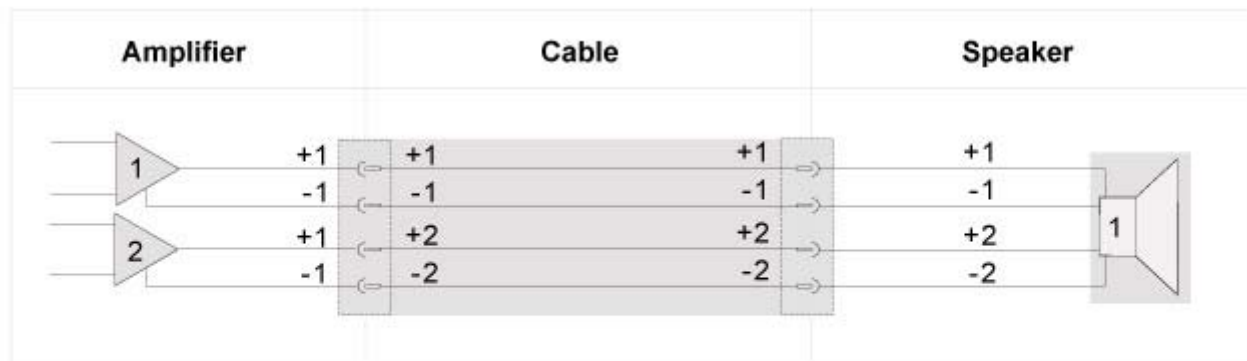
- Model LS Left/Right
- Model LS Center
- Model LS Surround

These speakers have one input Speakon NL4MP socket per speaker. Speakon plugs are included with the speaker and amplifier.

+1 / -1 is for bass.
+2 / -2 is for tweeter.

Speaker cable for Model LS Left/Right, LS Center, LS Surround

- Recommended minimum up to 16m / 50ft: AWG 14/4 or 4-lead 2mm².
- Recommended minimum from 16m / 50ft and up: AWG 12/4 or 4-lead 3.5mm².
- Recommended maximum: AWG 10/4 or 4-lead 5mm².



Wiring for:

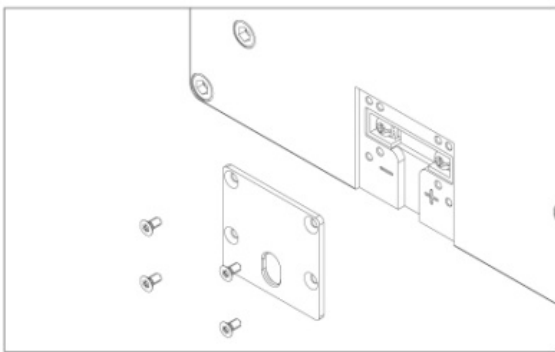
- S-15
- S-210

S – Series speakers has screw terminals, please use a Phillips head screwdriver. Recommended size: PH 2.

Speaker cable for S-15

- When using the hole in the back of the cover:
Recommended maximum: AWG 12/2 or 2-lead 2mm²
Including insulation, speaker wires for S-15 must have a diameter equal to or less than 8mm or 0.31in.
- When using the hole at the bottom of the cover:
Recommended maximum: AWG 18/2 or 2-lead 0,75mm²
Including insulation, speaker wires for S-15 must have a diameter equal to or less than 3mm or 1/8in.

Mounting the speaker wire for S-15: Unscrew the small cover using the included torx allen key, mount the wires and screw the cover back on.



Speaker cable for S-210

- Recommended minimum up to 16m / 50ft: AWG 12/2 or 2-lead 3,5mm²
- Recommended minimum from 16m / 50ft and up: AWG 10/2 or 2-lead 5mm²
- Recommended maximum: AWG 10/2 or 2-lead 5mm².

Mounting the speaker wire for S-210: Securely fasten the wires in the terminals.

