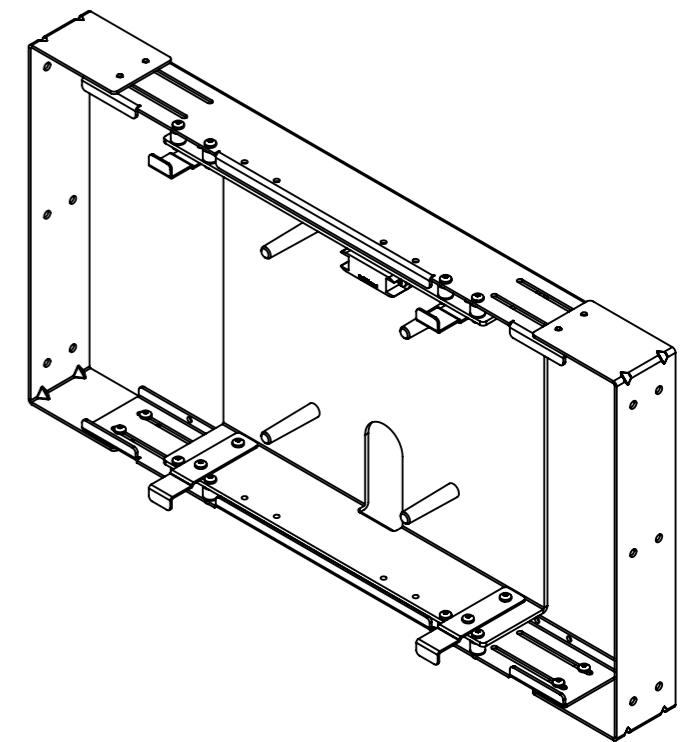
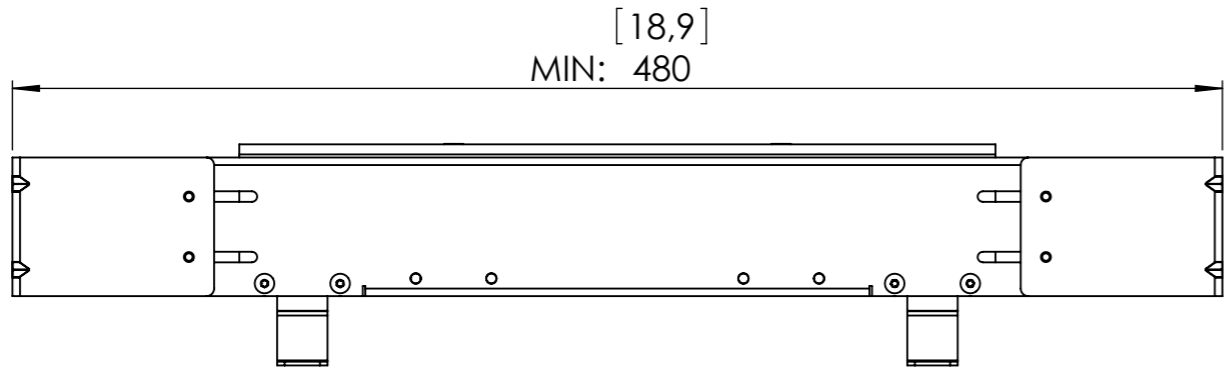
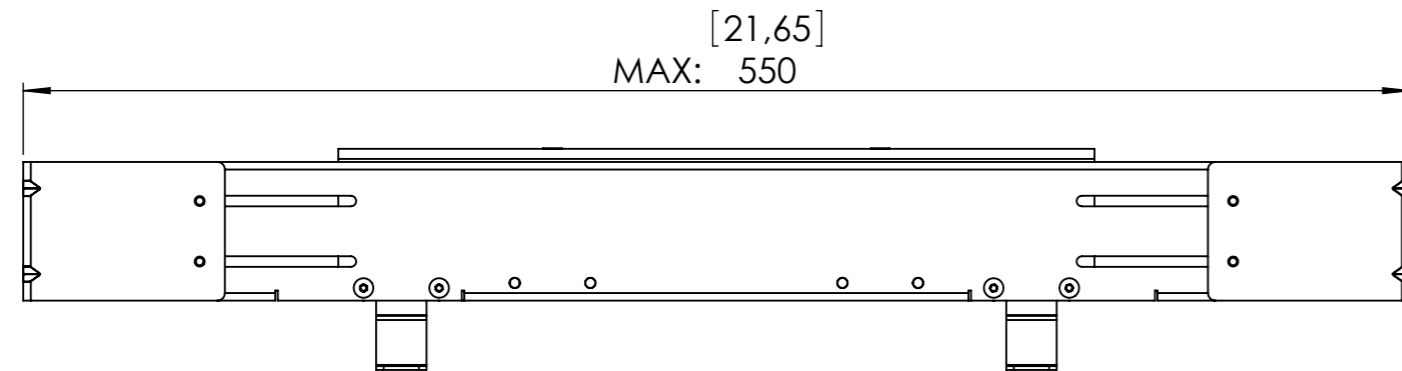
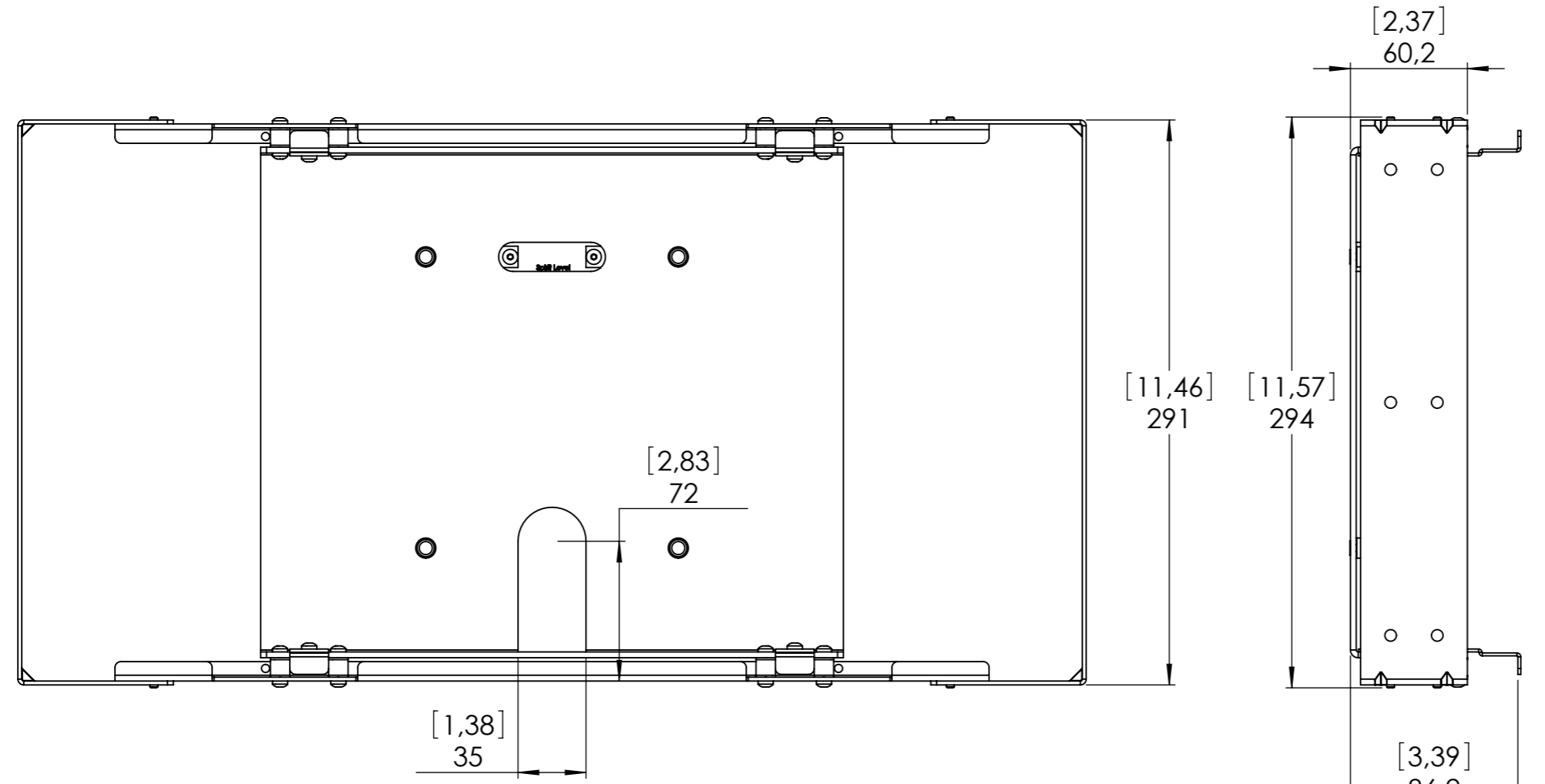


1 2 3 4 5 6 7 8

A
B
C
D
E
F



Unless otherwise specified: Dimensions are in millimeters. Tolerances according to DIN/ISO 2768-mK. Dimensions subject to change without further notice. Material to comply with EU RoHS Directive 2002/95/EC.	Rev.By:	Rev.Date:	Sheet 1 of 1
	Material:		
	Finish:		Date: 18-06-2009
	Colour:	Weight:	Creator: Jesper Beltoft
STEINWAY LYGNDORF Steinway Lyngdorf, Denmark www.steinwaylyngdorf.com	Description: Mounting bracket Semi recessed, Model M - Center		
Proprietary and confidential. The information contained in this drawing is the sole property of Steinway Lyngdorf. Any reproduction in part or as a whole without the written permission of Steinway Lyngdorf is prohibited.	Scale: Not to scale	Part No.:	(Revision)

1 2 3 4 5