

Steinway & Sons Model M
**INSTALLATION
MANUAL**

TABLE OF CONTENTS

TABLE OF CONTENTS	2
INTRODUCTION	3
COMPLIANCE 3	
MODEL M MUSIC SYSTEM PRE-INSTALLATION	4
INSTALLATION	5
POSITIONING OF PRODUCTS.....	6
CONSTRUCTION WALL SUPPORT	7
CUTOUT TEMPLATE.....	11
MOUNTING OF IN-WALL BRACKETS	12
MOUNTING OF IN-CEILING BRACKETS	17
TRADEMARKS.....	18
SERVICE INFORMATION.....	19

INTRODUCTION

Please read all material carefully prior to installation. If you need additional assistance, contact your Steinway Lyngdorf representative or email service@steinwaylyngdorf.com.

COMPLIANCE

WEEE

The European Parliament and the Council of the European Union have issued the Waste Electrical and Electronic Equipment Directive. The purpose of the Directive is to prevent waste of electrical and electronic equipment and to promote reuse, recycling, and other forms of waste recovery. Steinway Lyngdorf products and the accessories packed with them are subject to the WEEE Directive. Please dispose of any waste materials in accordance with your local recycling regulations. Products and equipment which must be collected for reuse, recycling, and other forms of recovery are marked with the icon of the crossed-out waste receptacle.



FCC

Steinway Lyngdorf products and accessories comply with parts 15 and 68 of the FCC rules. Operation is subject to the following two conditions: (1) this device may not cause harmful interference; and (2) this device must accept any interference received, including any interference that may cause undesired operation. Changes or modifications not expressly approved by the party responsible for compliance could void the user's authority to operate the equipment. Equipment marketed to a consumer must be capable of complying with the necessary regulations in the configuration in which the equipment is marketed.



MODEL M MUSIC SYSTEM PRE-INSTALLATION

Unpacking the Model M

Carefully remove the loudspeaker units and accessories from the carton and check for shipping damage. Contact both the shipper and your Steinway Lyngdorf representative immediately if the unit bears any sign of damage from mishandling. Note: Keep shipping carton and packing material for future use or in the unlikely event that the unit needs servicing. If this unit is shipped without the original packing, damage could occur and void the warranty.

Inventory

Check to ensure that all necessary product components have been delivered. Report all discrepancies to your Steinway Lyngdorf representative immediately.

Delivered with all loudspeaker products:

- Speakon connector (NL4FC)

Delivered with all mounting kits:

- Cut-out template
- In-wall bracket
- Spacers for semi in-wall
- On-wall brackets

Delivered with Model M Boundary Woofers: Spike Kit – containing:

- 28mm Spikes for wooden floors or carpets with low tufts
- 48mm Spikes for carpets with big tufts
- Non-penetrating rubber faced feet for stone floors.

Additional items in inventory include:

- Installation manual

INSTALLATION

Mounting Spikes

After locating the optimal positioning of the boundary woofers, you might consider using the supplied Spike Kit to give the speakers optimal support. From the Spike Kit you have the choice of the following designs:

- 28mm Spikes for wooden floors or carpets with low tufts
- 48mm Spikes for carpets with big tufts
- Non-penetrating rubber faced feet for stone floors.

To mount the spikes to the Model M boundary woofers, we recommend that you gently lay the speaker on its back on a thick towel or soft blanket.

After mounting the selected spikes, gently bring the speaker to its upright position in the selected place. Then adjust the spikes to give optimal support.

When mounted with spikes, the Model M boundary woofer should not be dragged or pushed into position.

(*) Spikes are the most stable solution for positioning the speakers, but they might damage the floor. Make sure that the customer understands the implications from choosing spike mounting.

(**) Please note that the rubber-faced feet can leave black marks if the speaker is pushed or dragged.

POSITIONING OF PRODUCTS

Model M L/R & Center

The recommended height from floor to center of the tweeter in the Model M is:

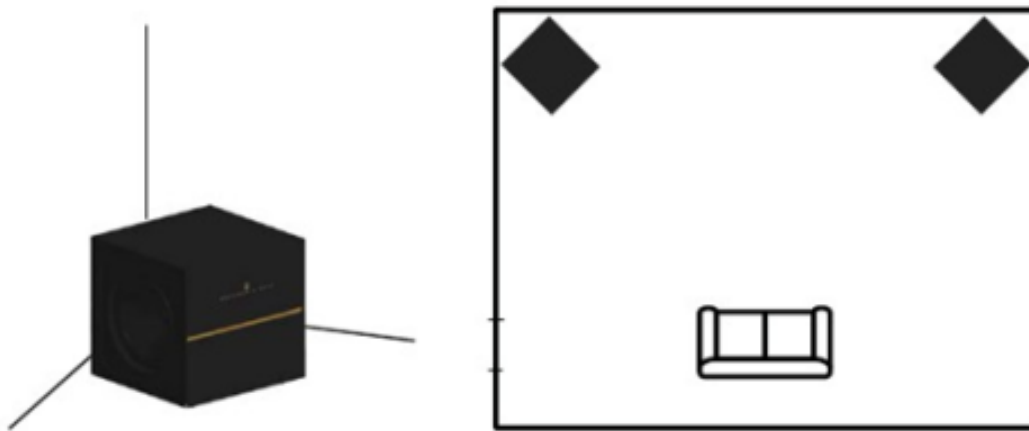
- 1000mm/39.4in. for use as front speakers
- 1700mm/66.9in. for use as surround speakers

For In-Wall mounting the available depth of the wall must be at least 112mm/4.41in.

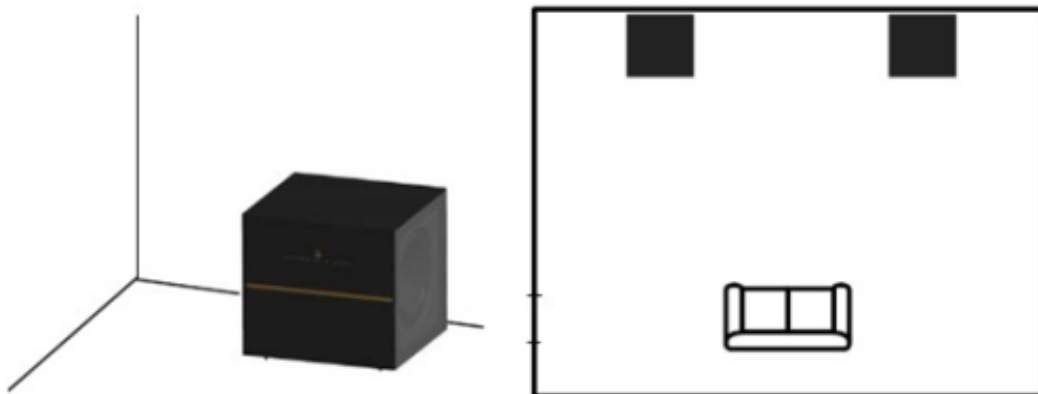
For semi-In-Wall mounting the available depth must be at least: 90mm/3.54in.

Model M Boundary Woofer

We recommend placing the Model M Boundary Woofers in a corner position.



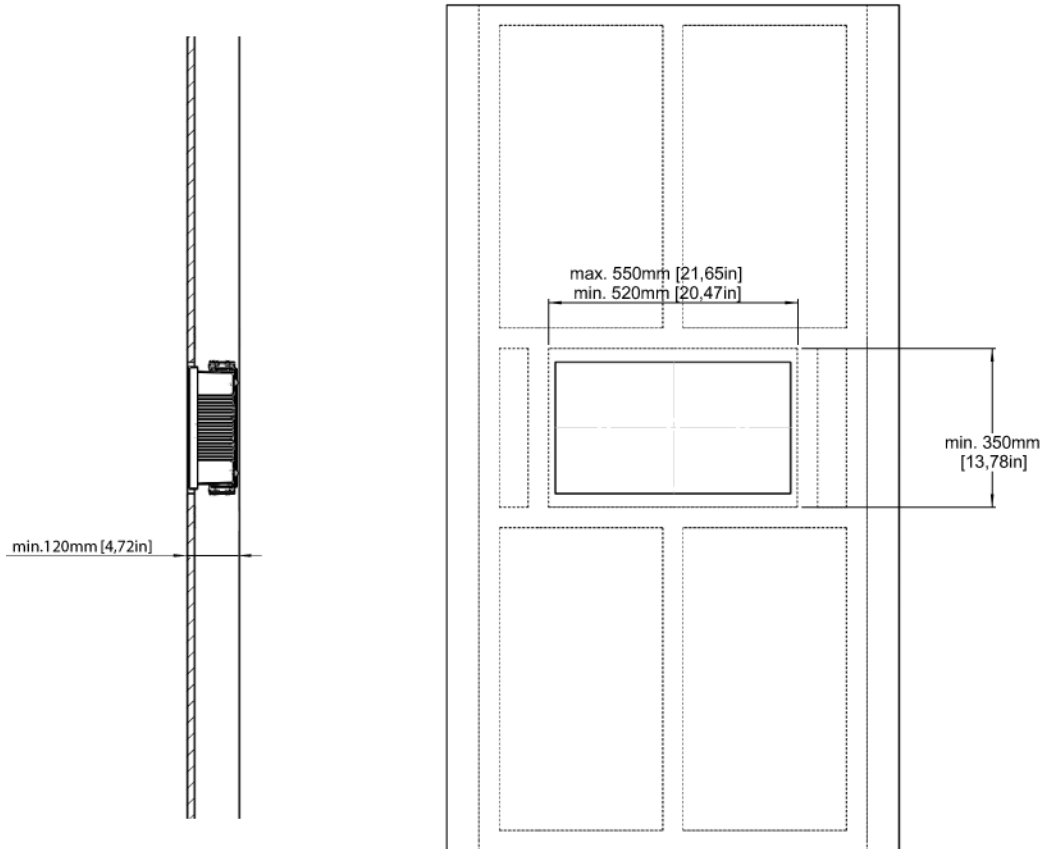
If a corner placement isn't possible, the Boundary Woofers should be placed up against the wall.



CONSTRUCTION WALL SUPPORT

In-wall Model M Center and In-Ceiling

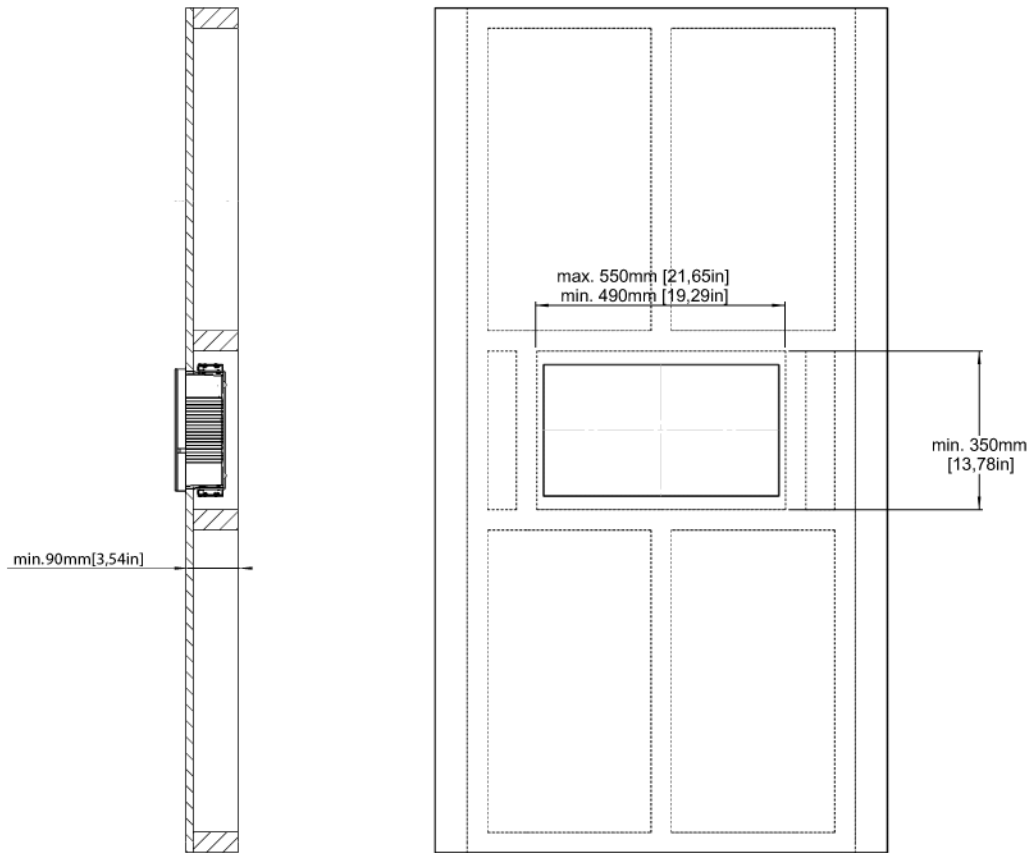
Optimal construction of wall support for the in-wall Model M center and in-ceiling bracket:



Note: The total combined weight of a Model M speaker and frame is 15kg/33lbs. Screws and wall must be able to handle this weight.

Semi in-wall Model M Center

Optimal construction of wall support for the semi in-wall Model M center bracket:



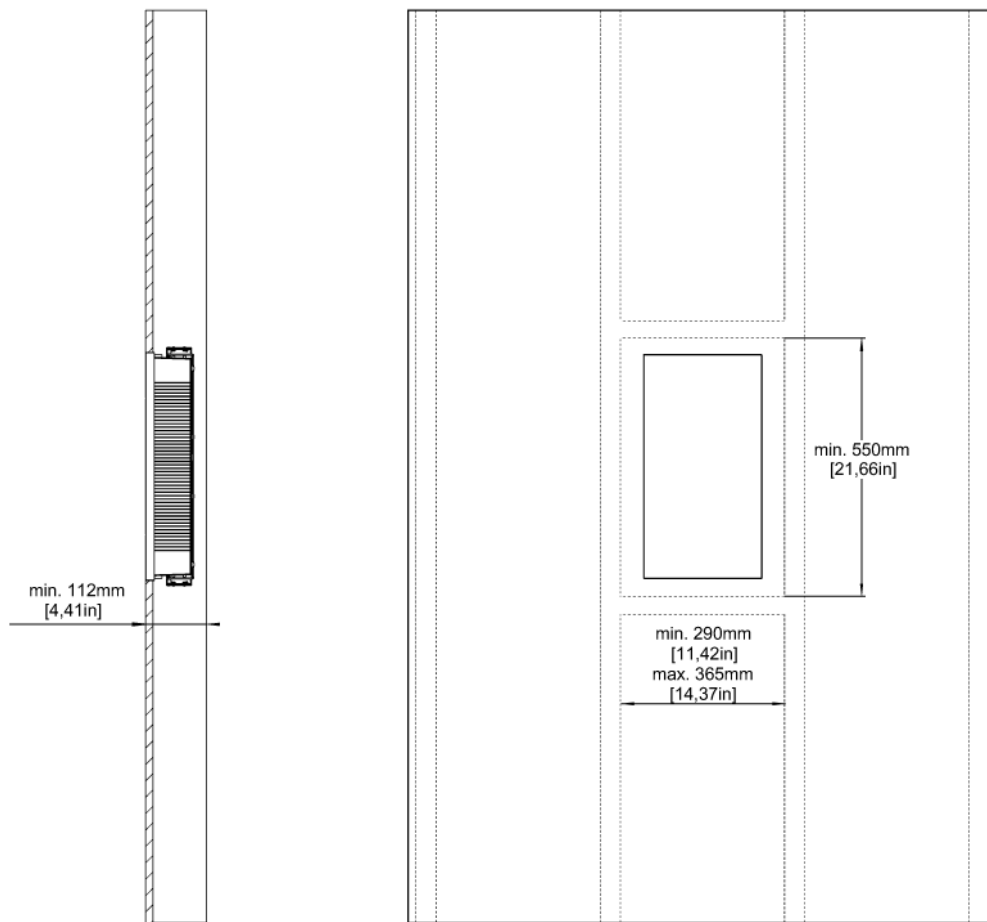
Note: The total combined weight of a Model M speaker and frame is 15kg/33lbs. Screws and wall must be able to handle this weight.

Maximum total plaster board thickness = 25.4mm [1in]

If 2x plaster boards in 5/8" thickness is used, the hole in the inner plaster board needs to be cut over size to make space for the in-wall bracket.

In-wall Model M L/R

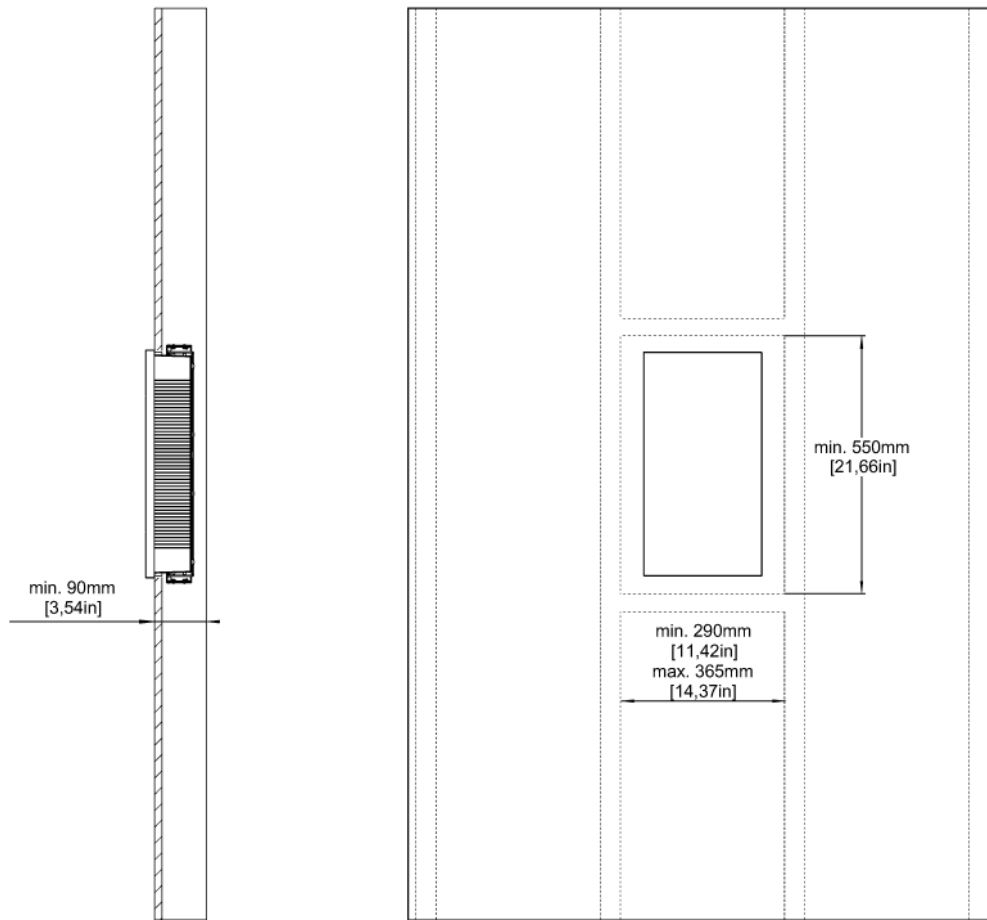
Optimal construction of wall support for the in-wall Model M L/R bracket:



Note: The total combined weight of a Model M speaker and frame is 15kg/33lbs. Screws and ceiling must be able to carry this weight.

Semi in-wall Model M L/R

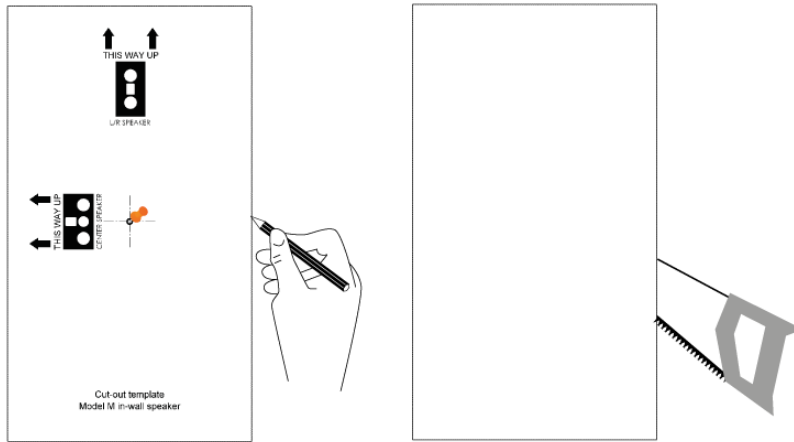
Optimal construction of wall support for the semi in-wall Model M L/R bracket:



Note: The total combined weight of a Model M speaker and frame is 15kg/33lbs. Screws and ceiling must be able to carry this weight.

Maximum total plaster board thickness = 25.4mm [1in]. If 2x plaster boards in 5/8" thickness is used the hole in the inner plaster board needs to be cut over size to make space for the in-wall bracket.

CUTOUT TEMPLATE



1. Unpack the supplied cardboard template and place it against the wall/ceiling, where the speaker will be installed.

2. The cutout size for in-wall Model C center and in-ceiling is:
520mm x 290mm (20.47in x 11.42in)

The cutout size for semi in-wall Model C center is:
490mm x 260mm (19.29in x 10.24in)

The cutout size for in-wall Model C L/R is:
290mm x 520mm (11.42in x 20.47in)

The cutout size for semi in-wall Model C L/R is:
260mm x 490mm (10.24in x 19.29in)

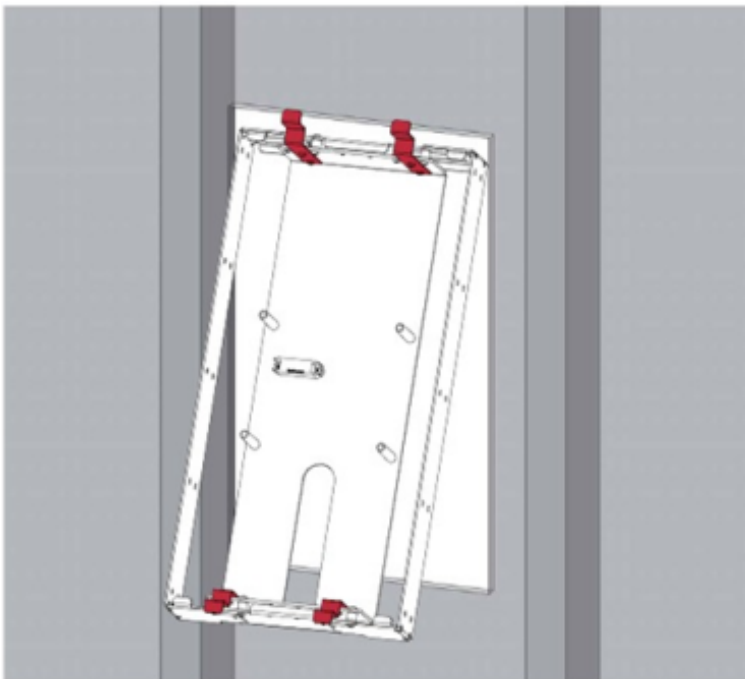
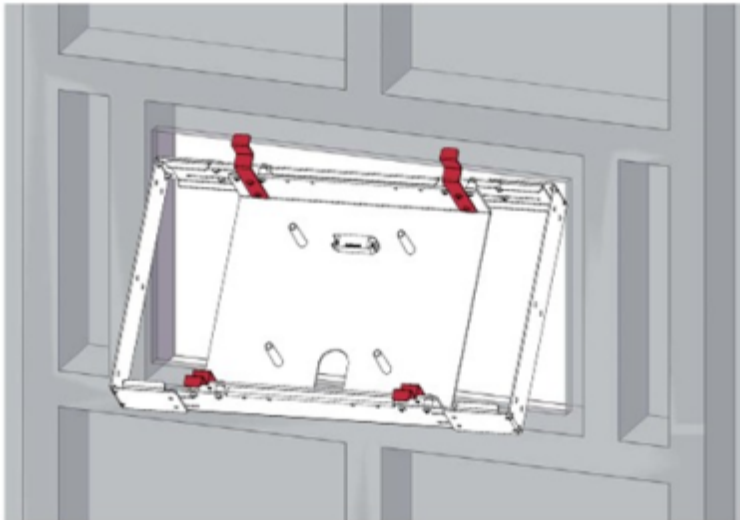
3. For wall mount place a pin in the center of the cardboard and make sure it is absolutely level before fastening it to the wall.
4. Draw cutting marks.
5. Cut out the hole very precisely according to the cutting marks.

MOUNTING OF IN-WALL BRACKETS

The wall brackets are factory fitted with red guides for either in-wall or semi in-wall mounting of the bracket. These guides will help position the bracket in the correct depth in the wall.

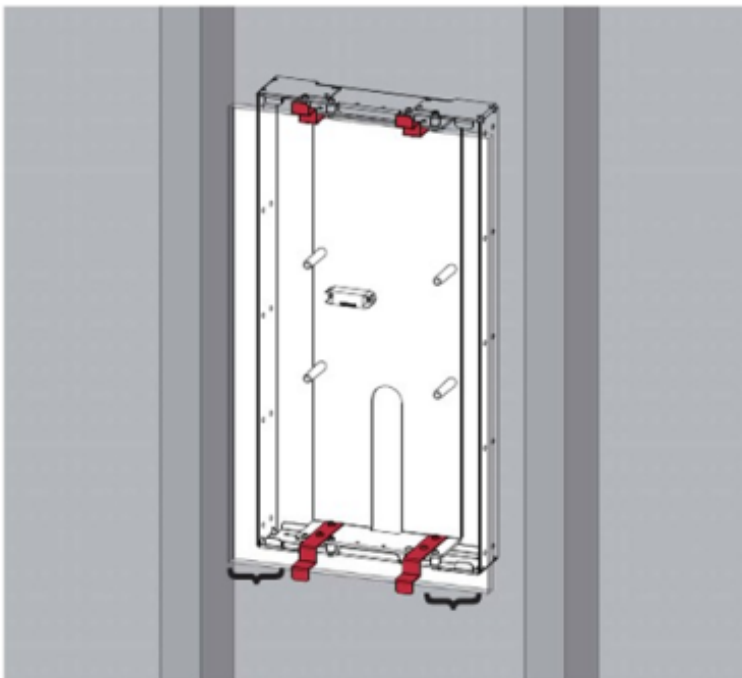
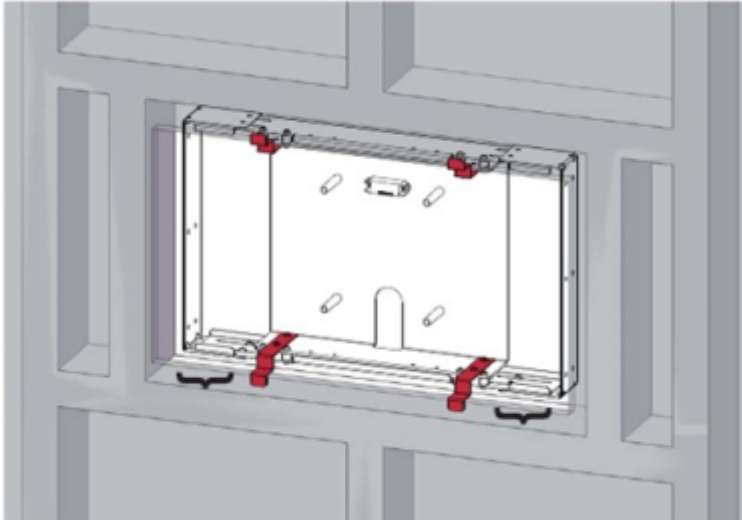
The wall brackets can be adjusted in size. Push the adjustable frame sides to minimize the size of the bracket.

Place the frame inside the hole. The top of the bracket needs to be angled inward for inserting it into the hole:



When positioning the wall brackets, make sure that the red brackets are spaced so their distance to the sides of the cutout are exactly the same.

The wall brackets must be positioned deep in the wall, so that the red brackets are aligned with the outer wall.

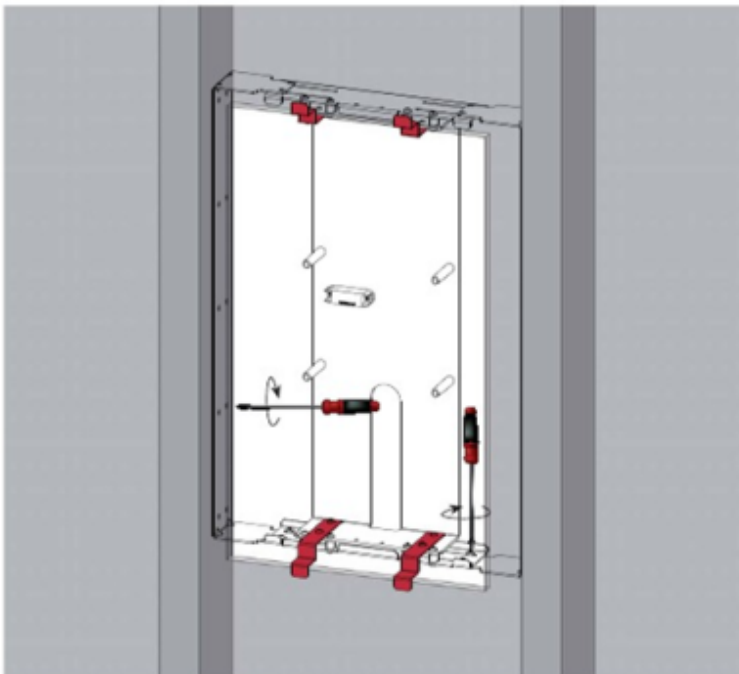
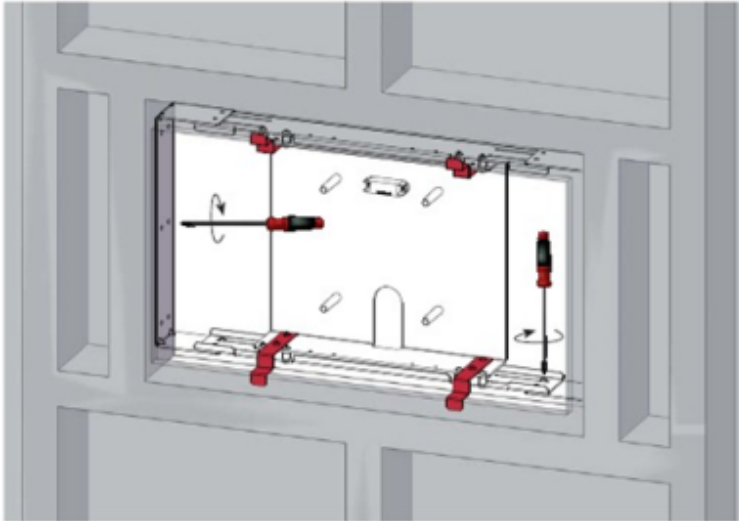


Push the adjustable frame sides all the way out so they touch the inside studs.

Tighten the screws that hold the adjustable frame sides.

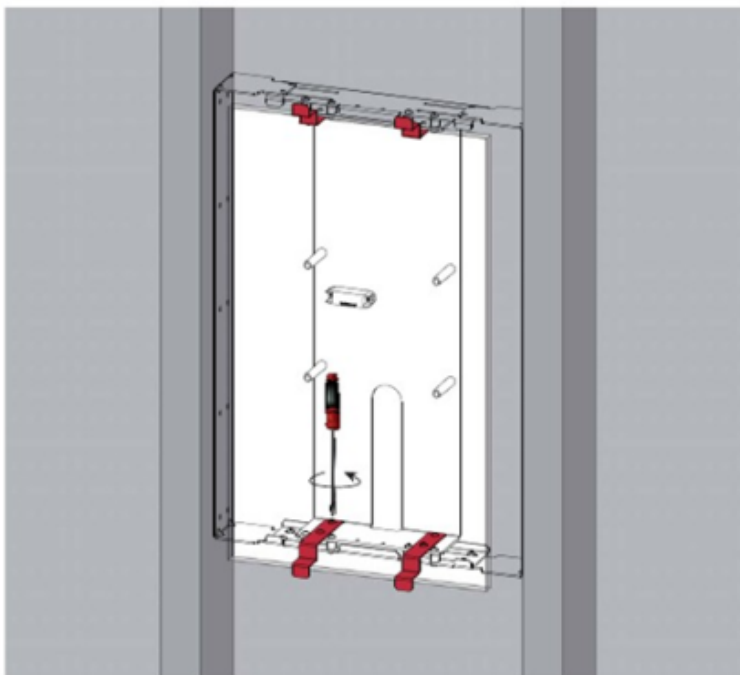
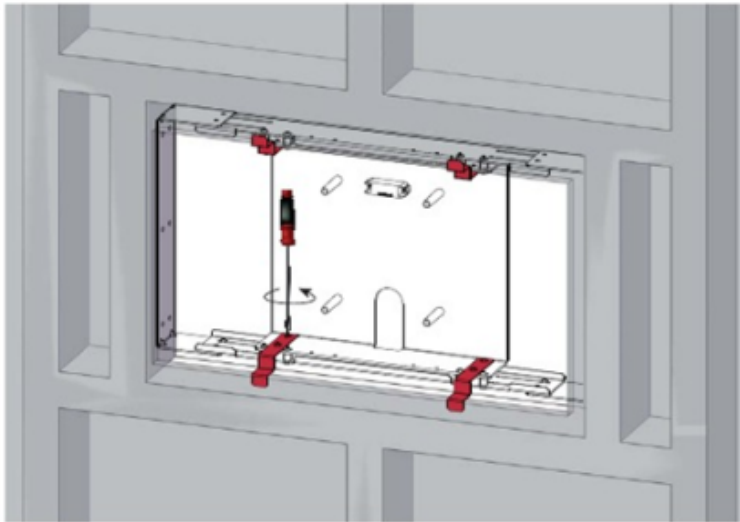
Use screws to fasten the sides of the bracket into the studs, and be careful not to move the positioning of the bracket.

Note: Never use countersunk screws.



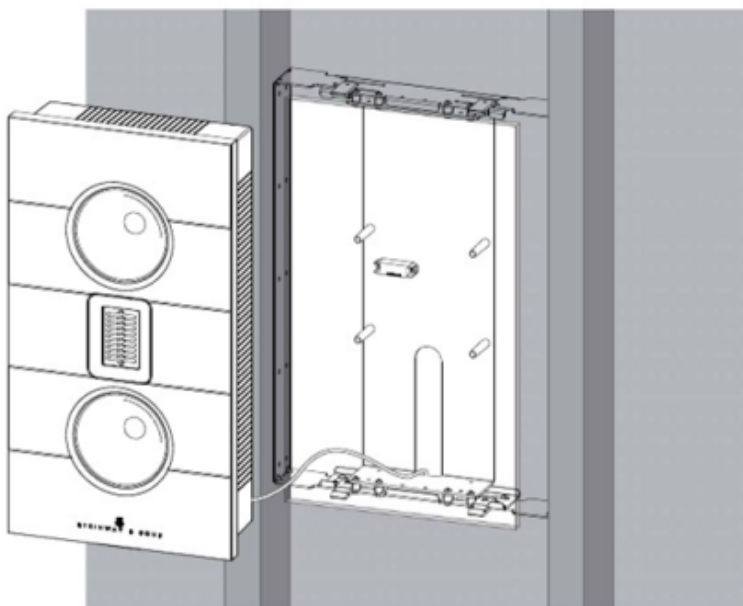
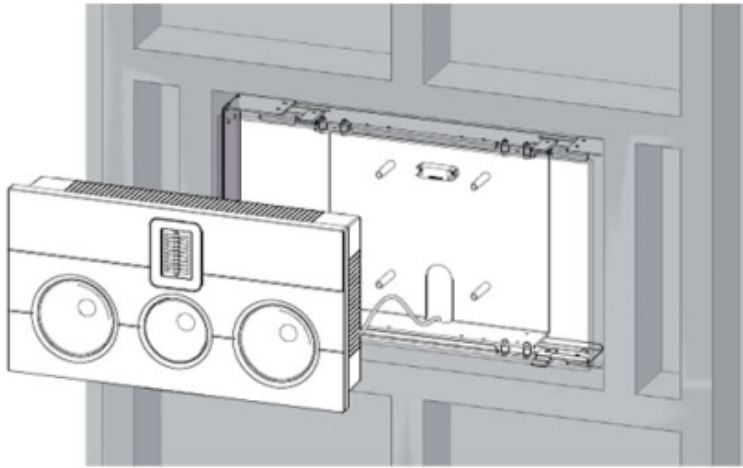
Remove the red brackets.

Save the red brackets for future use. They can be used to remove the speaker from the bracket if service is needed.



Connect the speaker cable to the speaker in accordance with the connection label on the back of the speaker. Place the speaker in the wall.

The speakers are held in position by magnets on the speaker and the 4 guides on the bracket.

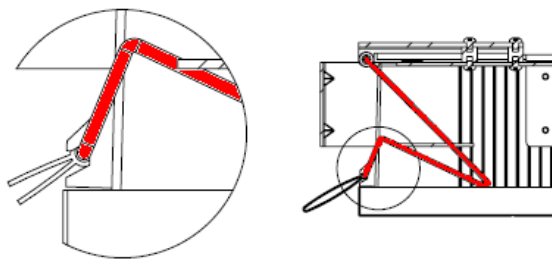


MOUNTING OF IN-CEILING BRACKETS

The in-ceiling brackets are factory fitted with red guides for in-wall mounting of the bracket. These guides will help with positioning the bracket in the correct depth in the ceiling.

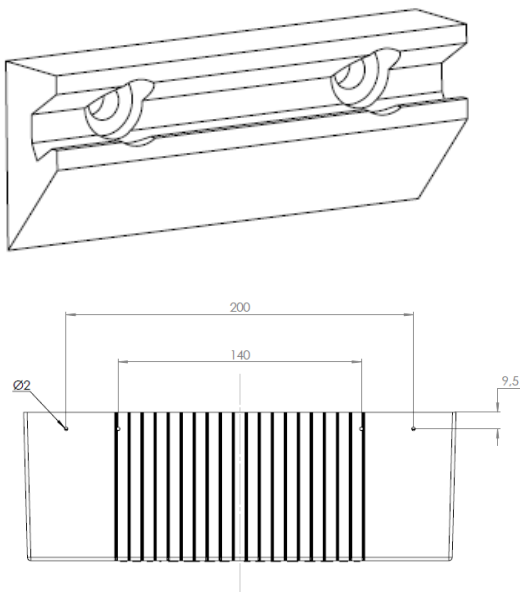
The in-ceiling brackets can be adjusted in size. Push the adjustable frame sides to minimize the size of the bracket and follow the same procedure as mounting an in-wall bracket for Model M center.

The in-ceiling bracket has two securing springs which hold the speaker in position. Use the strap to pull each spring down and let it slip into the mounting rail of the speaker:



For dismounting, use the strap to disengage the mounting rail. Use a small screwdriver to force the spring away from the rails, and pull the speaker down from the magnets.

A standard Model M L/R and center speaker can be converted into a Model M in-ceiling by mounting 4 mounting rails (article no. 581023701) – two on each end. Pre-drill 2mm holes and mount the rails with self-tapering screws.



TRADEMARKS

DTS is a registered trademark & the DTS logos and Symbol are trademarks of DTS, Inc. Manufactured under license under U.S. Patent #'s: 5,451,942; 5,956,674; 5,974,380; 5,978,762; 6,226,616; 6,487,535 & other U.S. and worldwide patents issued & pending. DTS is a registered trademark and the DTS logos, Symbol, DTS-HD Master Audio are trademarks of DTS, Inc. © 1996-2008 DTS, Inc. All Rights Reserved.

HDMI, the HDMI Logo and High-Definition Multimedia Interface are trademarks or registered trademarks of HDMI Licensing LLC.

Dolby and the double-D symbol are registered trademarks of Dolby Laboratories.

This product incorporates technology that is protected by U.S. patents and other intellectual property rights. Use of this technology must be authorized by Macrovision, and is intended for home and other limited viewing uses only, unless otherwise authorized by Macrovision. Reverse engineering or disassembly is prohibited.

This item incorporates copy protection technology that is protected by U.S. patents and other intellectual property rights of Rovi Corporation. Reverse engineering and disassembly are prohibited.

SERVICE INFORMATION

In order to obtain warranty service you must contact your original dealer or the Steinway Lyngdorf distributor of the region or country where you are located. If you have trouble locating an authorized representative, please contact the Steinway Lyngdorf Customer Service Department using the contact information at www.steinwaylyngdorf.com, or you may email service@steinwaylyngdorf.com.

Steinway Lyngdorf

Rævevej 3

DK 7800 Skive

Denmark

Service Hotline: +45 4084 2230

Fax: +45 9614 5601

In some cases, the Customer Service Department may solve a service problem without the need of repair or any other measures, thereby avoiding further inconvenience or delay. In some cases it may be necessary to return the equipment to Steinway Lyngdorf or an authorized service provider for repair; therefore, it is recommended that you save your original packing materials. Steinway Lyngdorf will not be responsible for any damage due to unauthorized packing or shipment in non-original packing materials. If return is made in authorized packaging, risks are borne by Steinway Lyngdorf. Additional charges may occur if new packing materials are required for return shipment.

