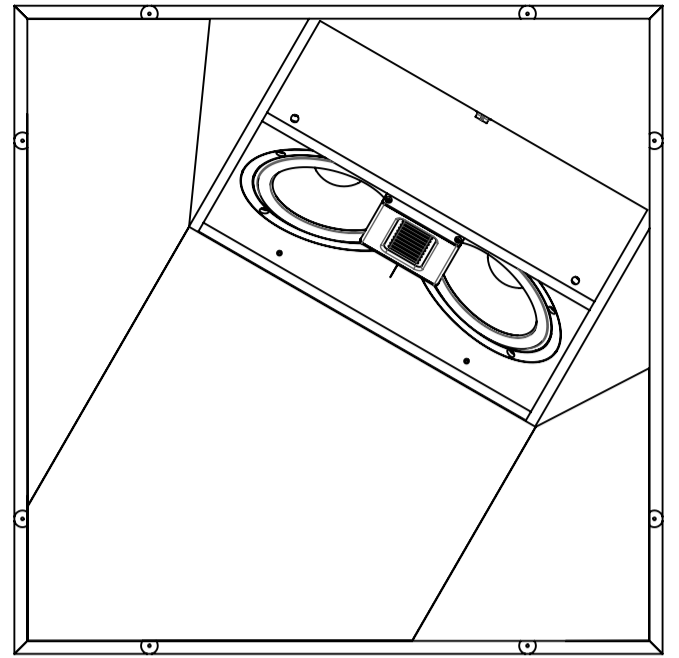
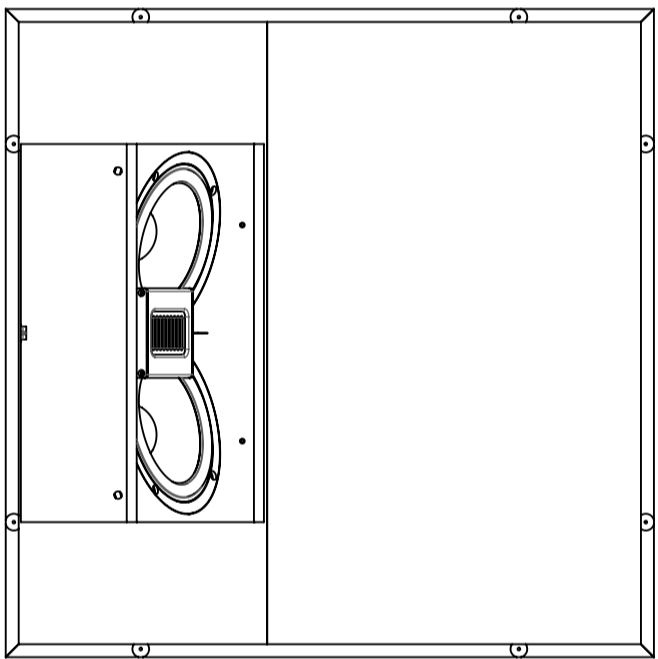


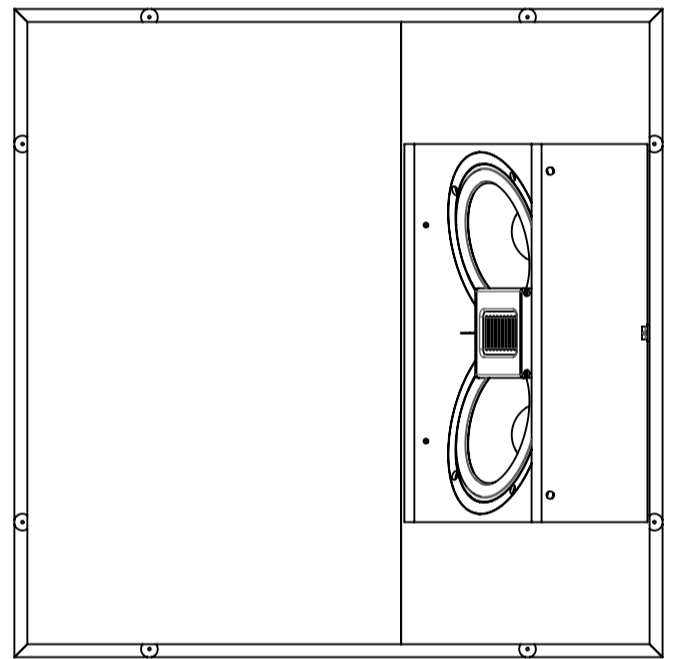
RIGHT TOP FRONT / LEFT TOP REAR



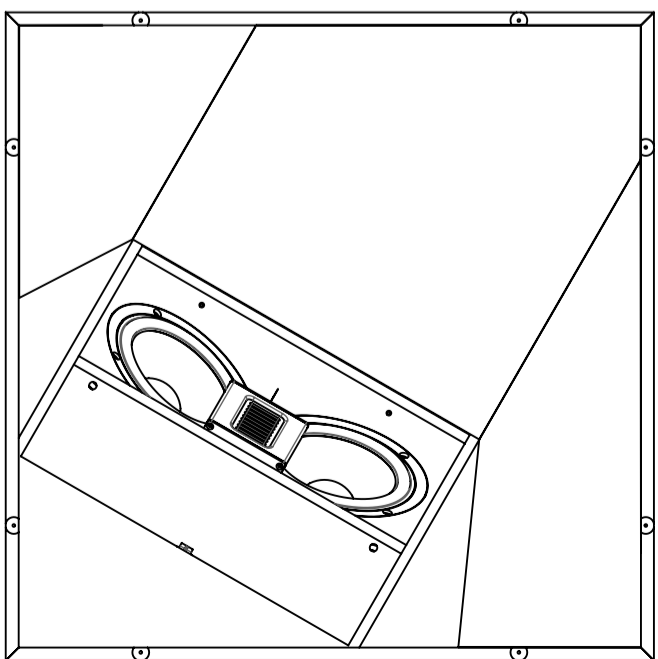
LEFT TOP FRONT / RIGHT TOP REAR



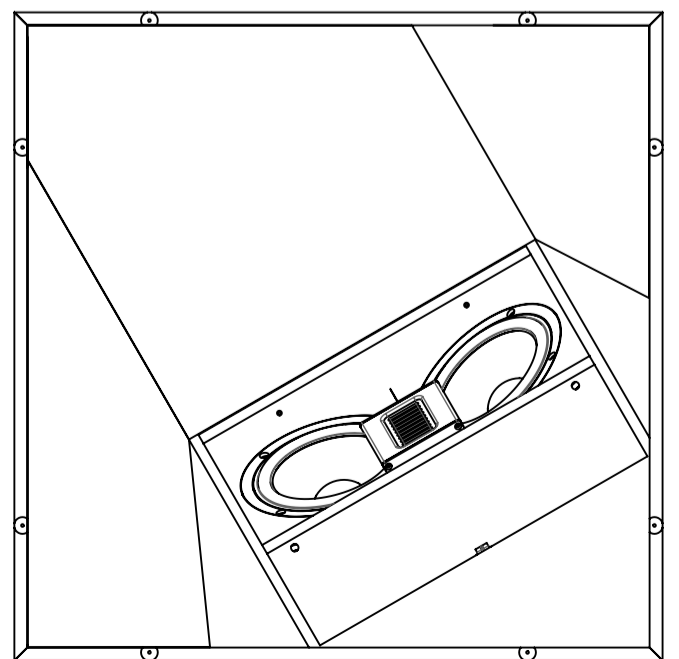
TOP MIDDLE



TOP MIDDLE



LEFT TOP FRONT / RIGHT TOP REAR



RIGHT TOP FRONT / LEFT TOP REAR