

1

2

3

4

5

6

7

8

A

B

C

D

E

F

A

B

C

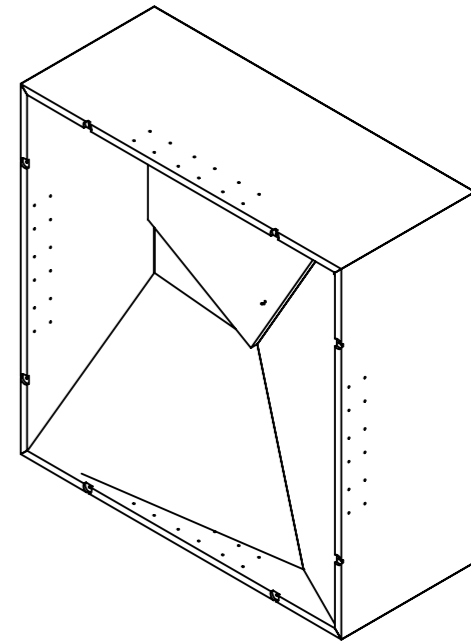
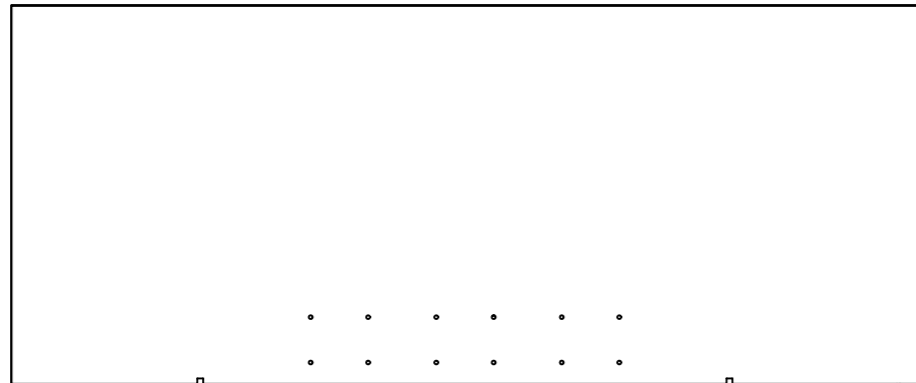
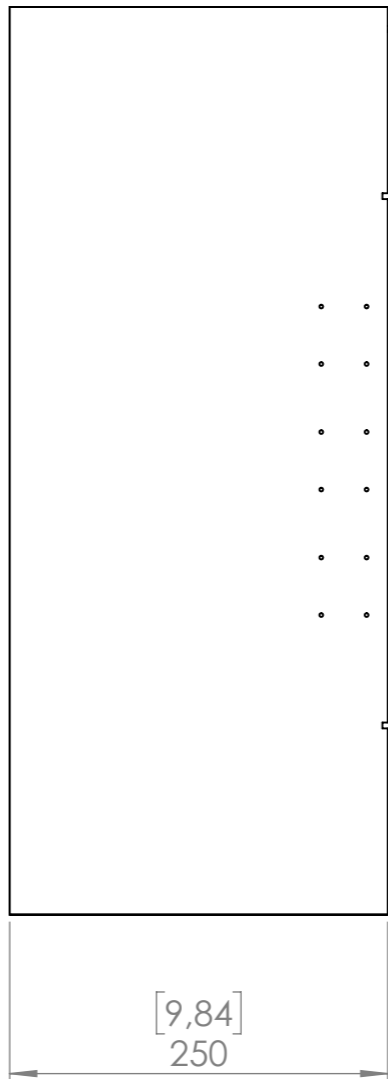
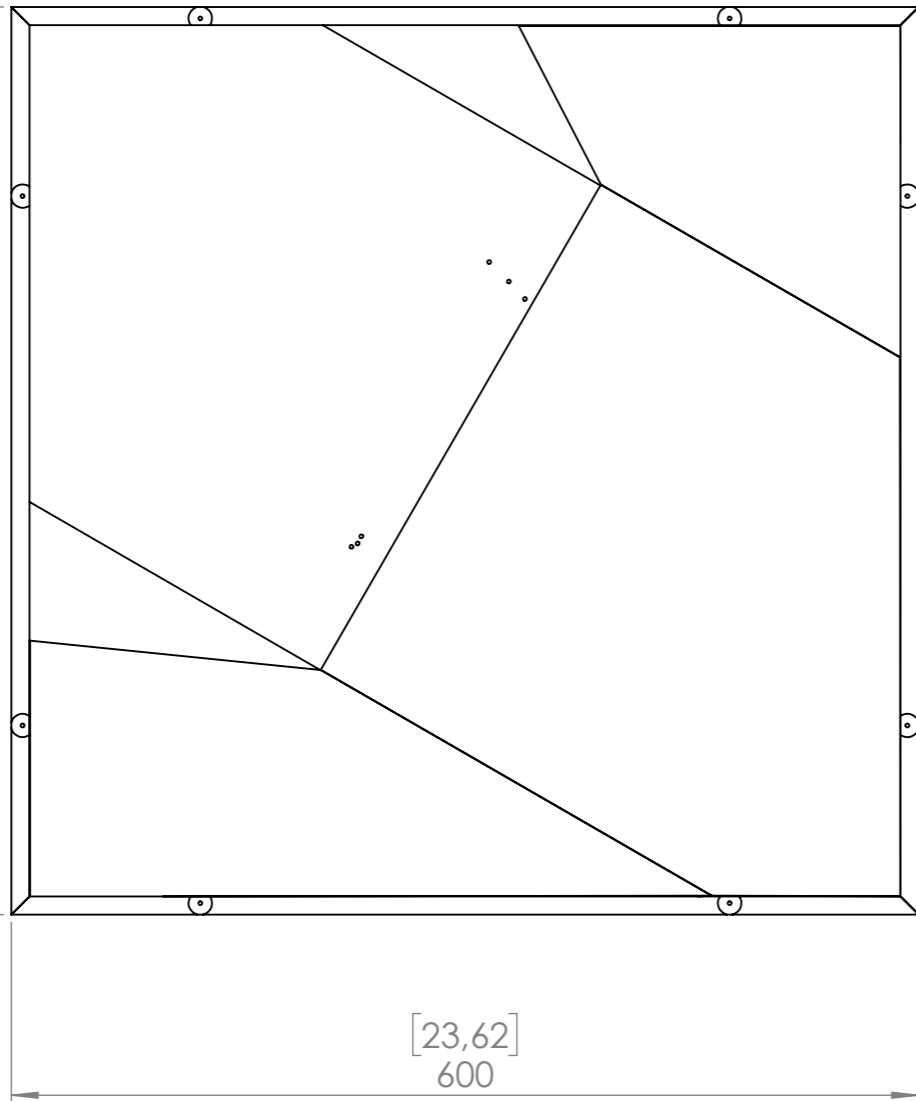
D

E

[23,62]  
600

[23,62]  
600

[9,84]  
250



Unless otherwise specified:  
 Dimensions are in millimeters.  
 Tolerances according to DIN/ISO 2768-mK.  
 Dimensions subject to change without further notice.  
 Material to comply with EU RoHS Directive 2002/95/EC.

**STEINWAY LYNGDORF**  
 Steinway Lyngdorf, Denmark  
 www.steinwaylyngdorf.com

Proprietary and confidential.  
 The information contained in this drawing is the  
 sole property of Steinway Lyngdorf.  
 Any reproduction in part or as a whole without  
 the written permission of Steinway Lyngdorf  
 is prohibited.

Scale: Not to scale

Rev.By:	Rev.Date:	Sheet 1 of 1
Material:	Finish:	
Colour:	Weight:	Date: 04-11-2016
Part No.:		Creator: Jesper Beltoft
(Revision)		

**IC 26 Back Box, Left**